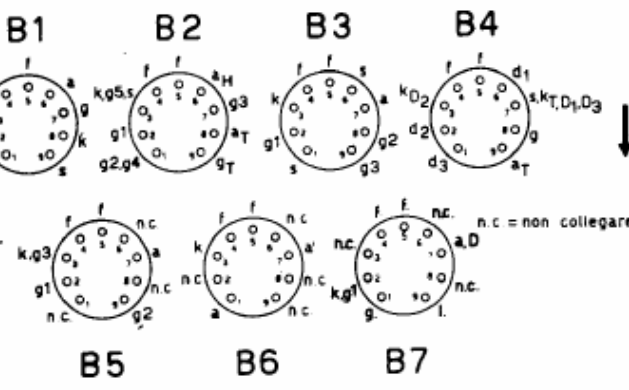
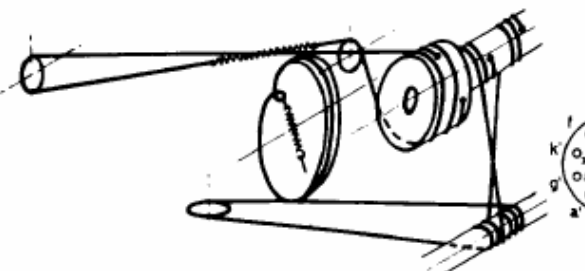
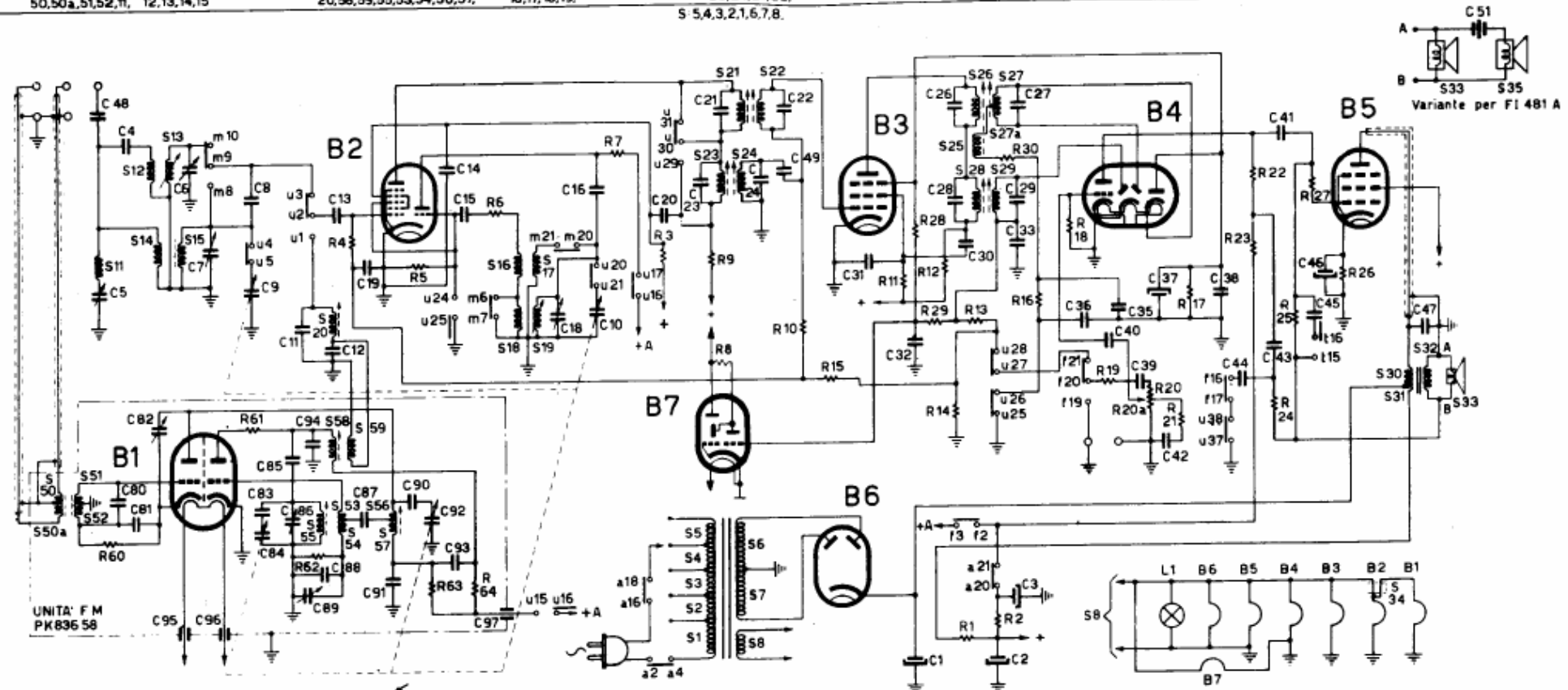


PHILIPS mod. FI 481A - HI 482 A

C:	48, 5, 80, 4, 81, 82, 95, 6, 7, 96, 8, 9, 83, 84, 85, 86, 11, 89, 94, 12, 13, 88, 19, 87, 91, 90, 92, 93, 14, 15, 97, 16, 10,	20, 23, 21,	24, 22, 49,	31,	32, 1, 26, 28, 30, 27, 29, 33, 3, 2, 36, 40,	35, 39, 37, 42, 38, 44, 43, 41,	45, 46,	47, 51										
R:	60	61	62	4	5, 63,	64, 6,	7	3	8	9	10, 15,	11, 28, 29, 12, 14, 13, 2, 30, 16, 18,	19, 20	20, 21, 17,	22, 23, 24, 25, 27, 26,	34,	30, 31, 32, 33,	35
S:	50, 50a, 51, 52, 11,	12, 13, 14, 15	20, 58, 59, 55, 53, 54, 56, 57,	16, 17, 18, 19,	23, 24, 21, 22,		25, 26, 27, 28, 29, 27,		S 5, 4, 3, 2, 1, 6, 7, 8,									



	TONO	FONO	O.M.	O.C.	F.M.
	a	t	f	m	u
21	+	+	+	+	-
20	-	+	-	+	-
19	-	+	+	+	-
18	+	+	+	+	-
17	+	+	+	+	-
16	+	+	+	+	-
15	-	-	-	-	-
28	-	-	-	-	-
27	-	-	-	-	-
26	-	-	-	-	-
25	-	-	-	-	-
24	-	-	-	-	-
23	-	-	-	-	-
22	-	-	-	-	-
21	-	-	-	-	-
20	-	-	-	-	-
19	-	-	-	-	-
18	-	-	-	-	-
17	-	-	-	-	-
16	-	-	-	-	-
15	-	-	-	-	-

COMMUTATORE IN POSIZIONE O.C.

• Cont. di comm
 | Barra di comm
 • Ancoraggio

